

Pyranometer Insulation Disc

Installation guide for mounting to digital secondary standard Hukseflux pyranometers

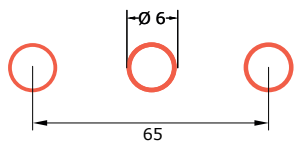
Hukseflux offers an optional pyranometer insulation disc. Its purpose is to insulate the pyranometer so the sensor is electrically connected to one ground point only at all times. This installation guide provides instructions how to mount the insulation disc included in this kit to an SR2x and SR3x pyranometer. Please consult the user manual of your pyranometer for more information on pyranometer installation. Using the disc is the user's own decision; it is not the preferred way to ground a sensor.

Warning

- ⚠ Consult Hukseflux' instructions on grounding
- ⚠ Use of the disc is at the user's own risk
- ⚠ Connect the shield wire of the sensor cable to the ground terminal of the power supply
- ⚠ Ensure proper strain relief of the cable
- ⚠ Bolt tightening up to 7 Nm

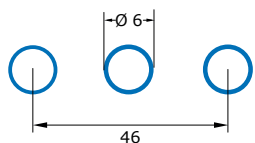
Plate specifications

- Plate thickness up to 5 mm, when using bolts included
- Hole dimensions in mm for SR2x



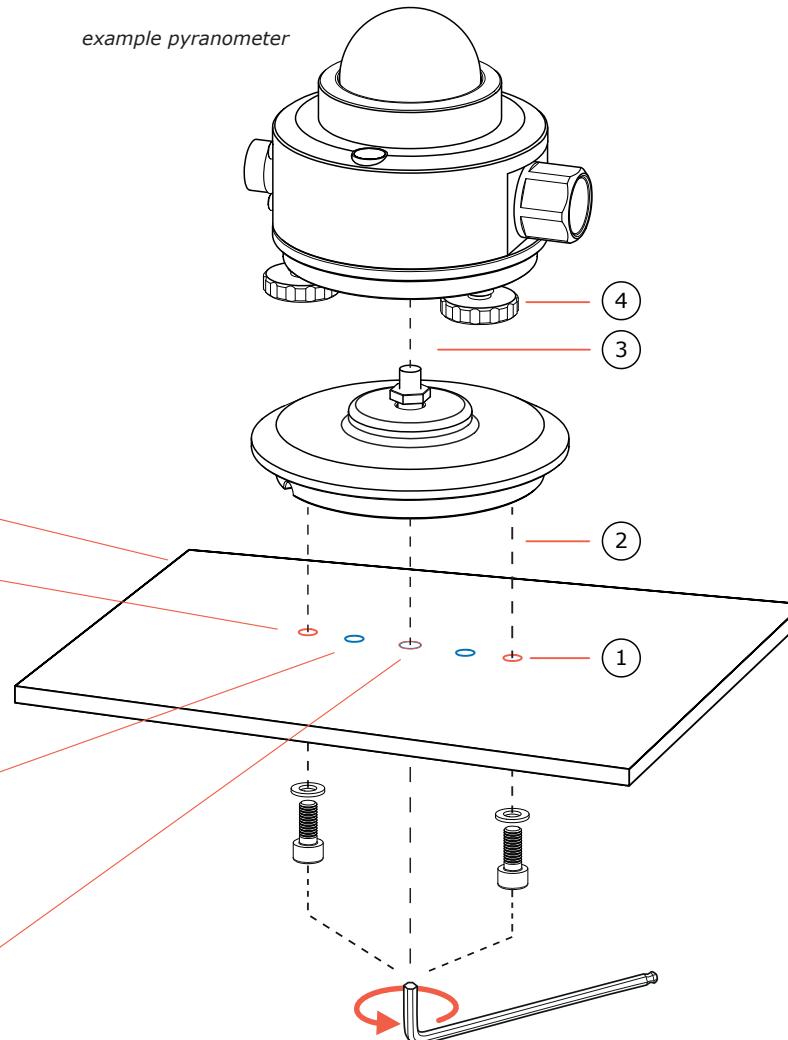
OR

- Hole dimensions in mm for SR3x



- Centre hole for installing pyranometer to disc

example pyranometer



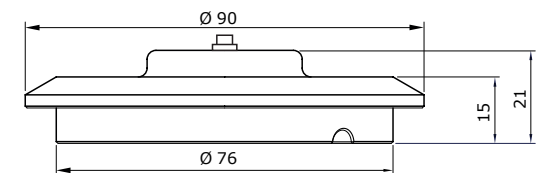
Included

- Insulation disc with pyranometer locking bolt
- 2 x M5x12 bolt
- 2 x M5 washer

Installation

- ① Drill hole pattern in plate
- ② Mount disc onto plate, use 4 mm hex key
- ③ Mount pyranometer onto disc, use 4 mm hex key
- ④ Level pyranometer

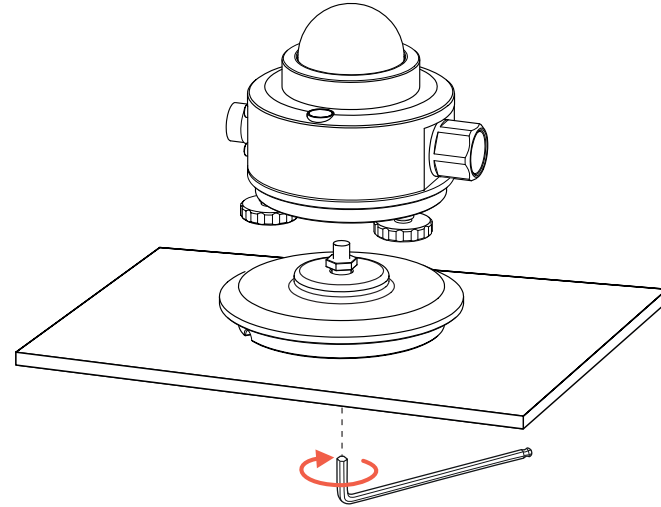
Disc specifications



The insulation disc is spring-loaded. Once the pyranometer is connected and locked to the disc, the pyranometer can be levelled by user. Levelling is done by fastening or loosening the two adjustable levelling feet of the pyranometer by hand, see point ④ in drawing.

Unmount pyranometer

The preferred method to unmount the pyranometer (for example for servicing purposes) is to release the pyranometer by using a 4 mm hex key at centre bolt.



An alternative method to release the pyranometer, when the centre hole cannot be reached, is by using a 10 mm spanner.

